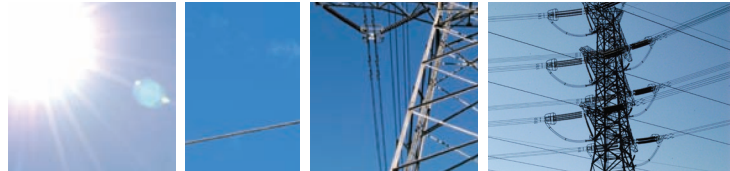


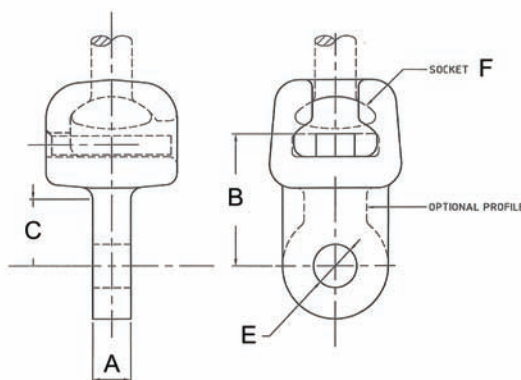
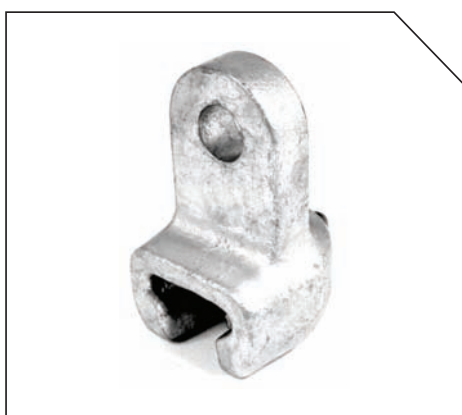
HARDWARE FITTINGS



TWISTED SOCKET TONGUE

AUSTRALIAN STANDARD (AS)

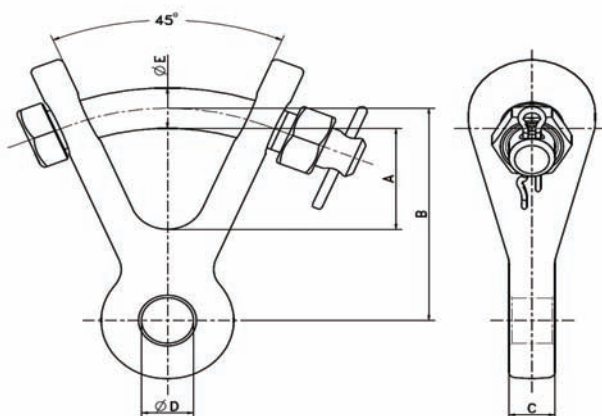
Part Number	Drawing Number	Ref Code	Min. Breaking Strength (kN)	A (mm)	B (mm)	C (mm)	E (mm)	F Ball (mm)
971178-000	STT70	PLP-STT70	70	14.5-17.5	54.1-59.9	26.5-29.5	Ø18	16
CB4514-000	STT70R	PLP-STT70R	70	14.5-17.5	54.1-59.9	26.5-29.5	Ø18	16
105612-000	STT120	PLP-STT120	120	14.5-17.5	54.1-59.9	26.5-29.5	Ø18	16
447096-000	STT120R	PLP-STT120R	120	14.5-17.5	54.1-59.9	26.5-29.5	Ø18	16
267802-000	STT160	PLP-STT160	160	18.5-21.5	54.1-59.9	33.2-36.8	Ø21.5-22.5	20
598512-000	STT160R	PLP-STT160R	160	18.5-21.5	54.1-59.9	33.2-36.8	Ø21.5-22.5	20



Material: Galvanized Forged Steel

TWISTED Y CLEVIS TONGUE

Part Number	Drawing Number	Min. Breaking Strength (kN)	A (mm)	B (mm)	C (mm)	D (mm)	E Bolt Size (mm)
F21902-000	A4DD06380T	120	40	84	16	Ø18	Ø16



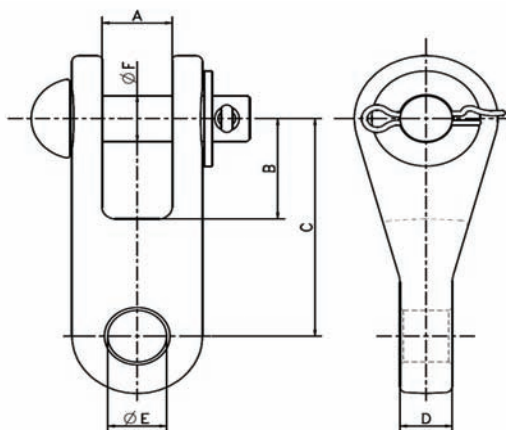
Material: Galvanized Forged Steel

HARDWARE FITTINGS



TWISTED CLEVIS TONGUE - RIVET TYPE

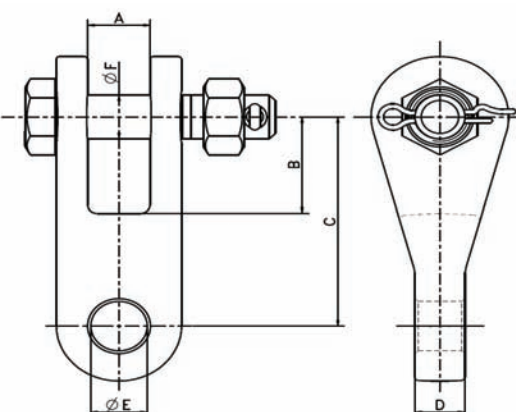
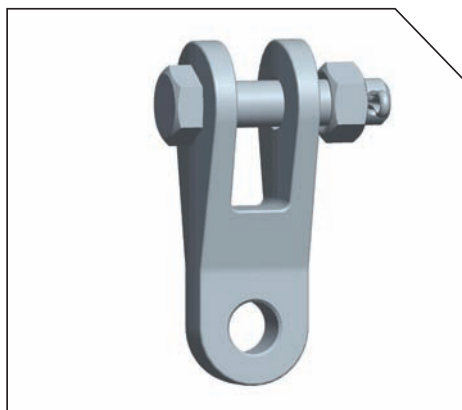
Part Number	Drawing Number	Desc.	Min. Breaking Strength (kN)	A (mm)	B (mm)	C (mm)	D (mm)	E (mm)	F (mm)
A02753-000	A4DD1081T	16mm	80	20	35	76	16	Ø18	Ø16
471806-000	A4DD06410T	16mm	120	22	35	76	16	Ø18	Ø16
964022-000	A4DD17730T*	16mm	80	22	38	76	16	Ø18	Ø16
446364-000	A4DD1270T	20mm	127	24	40	76	20	Ø22	Ø16
898852-000	A4DD06411T	20mm	160	24	40	76	20	Ø22	Ø19



Material: Galvanized Forged Steel
* Galvanized Ductile Iron

TWISTED CLEVIS TONGUE - BOLT TYPE

Part Number	Drawing Number	Desc.	Min. Breaking Strength (kN)	A (mm)	B (mm)	C (mm)	D (mm)	E (mm)	F Bolt Size (mm)
C46880-000	A4DD14195T	16mm	80	20	35	76	16	Ø18	Ø16
C05556-000	A4DD07984T	16mm	120	22	35	76	16	Ø18	Ø16
C69393-000	A4DD11475T	20mm	160	24	40	76	20	Ø22	Ø20
564654-000	A4DD16326T	20mm	160	24	40	76	20	Ø18	Ø20



Material: Galvanized Forged Steel

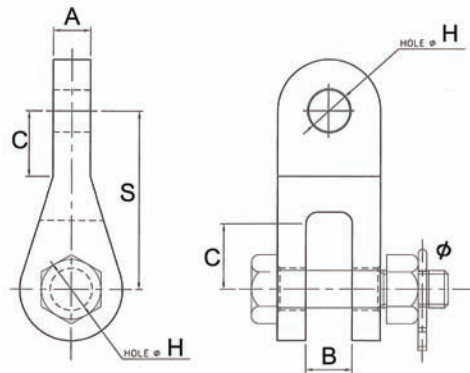
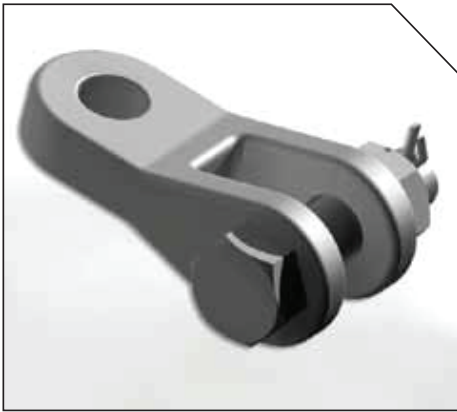
HARDWARE FITTINGS



TWISTED CLEVIS TONGUE

AUSTRALIAN STANDARD (AS)

Part Number	Drawing Number	Ref Code	Min. Breaking Strength (kN)	A (mm)	B (mm)	C (mm)	S (mm)	H (mm)	Bolt Size (mm)
359598-000	CTT70AT	PLP-CTT70AT-PG	70	16	22	31, 35	76	17.5	Ø16
CA3921-000	CTT120A	PLP-CTT120A	120	16	20	28	76	18	Ø16
035034-000	CTT160A	PLP-CTT160A	160	18.5-21.5	22.5-25.5	33.25-36.75	72.2-79.8	21.5-22.5	Ø20

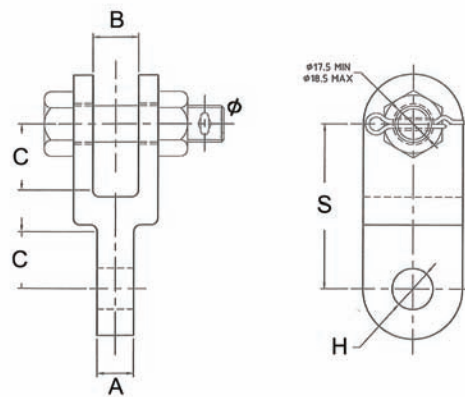


Material: Galvanized Forged Steel

CLEVIS TONGUE

AUSTRALIAN STANDARD (AS)

Part Number	Drawing Number	Ref Code	Min. Breaking Strength (kN)	A (mm)	B (mm)	C (mm)	S (mm)	H (mm)	Bolt Size (mm)
126144-000	CT70A	PLP-CT70A	70	14.5-17.5	18.5-21.5	26.5-29.5	68.4-76.6	17.5-18.5	Ø16



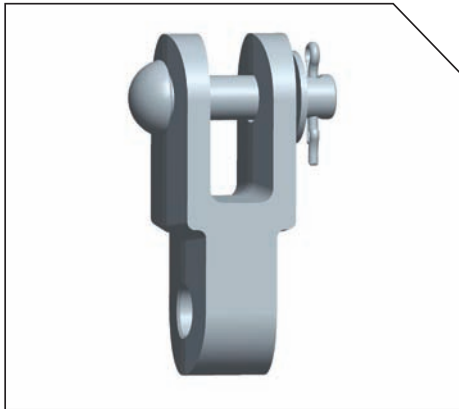
Material: Galvanized Steel

HARDWARE FITTINGS

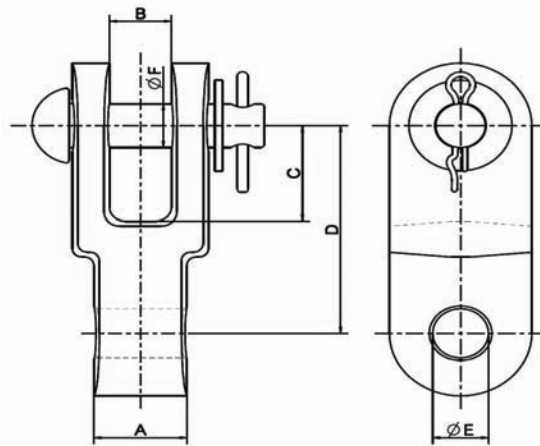


CLEVIS EYE

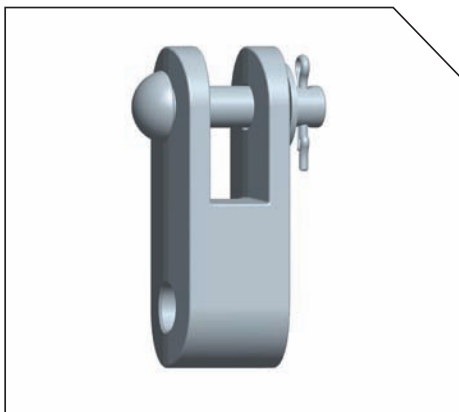
Part Number	Drawing Number	Min. Breaking Strength (kN)	A (mm)	B (mm)	C (mm)	D (mm)	E (mm)	F Bolt Size (mm)
D06659-000	A4DD14797T	90	16	20	35	76	Ø18	Ø16
CB3458-000	A4DD15705T	120	22	20	35	76	Ø18	Ø16
D25122-000	A4DD15326T	137	30	20	35	76	Ø18	Ø16



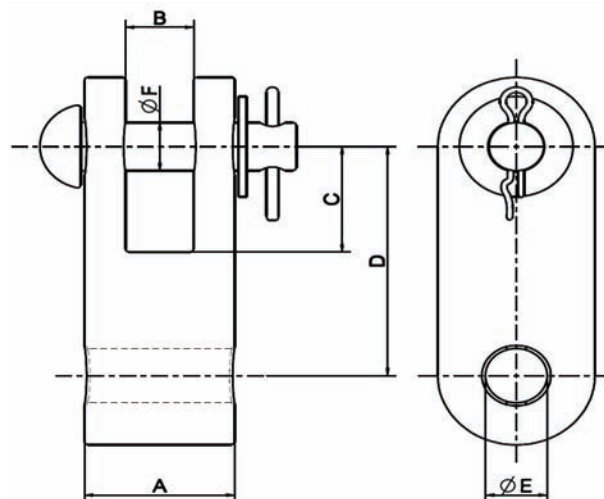
Material: Galvanized Forged Steel



Part Number	Drawing Number	Min. Breaking Strength (kN)	A (mm)	B (mm)	C (mm)	D (mm)	E (mm)	F Bolt Size (mm)
D98822-000	A4DD15328T	137	44	20	35	76	Ø18	Ø16



Material: Galvanized Forged Steel



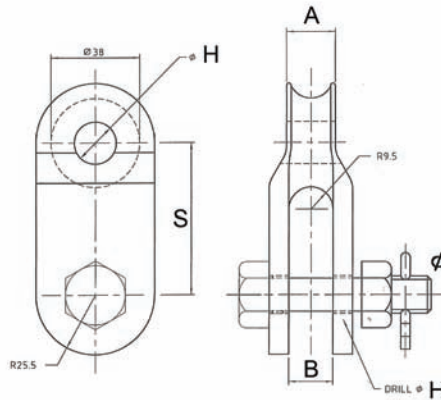
HARDWARE FITTINGS



CLEVIS THIMBLE TERMINATION

AUSTRALIAN STANDARD (AS)

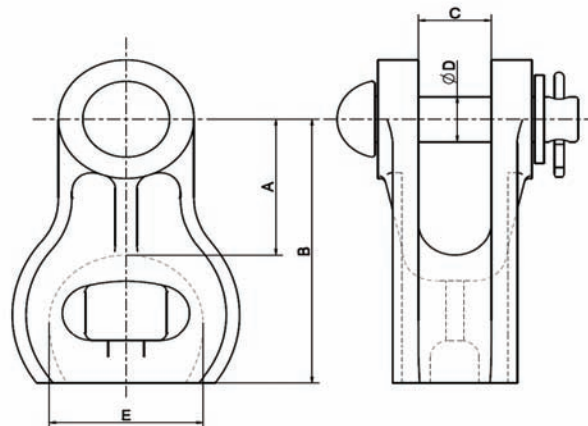
Part Number	Drawing Number	Ref Code	Min. Breaking Strength (kN)	A (mm)	B (mm)	S (mm)	H (mm)	Bolt Size (mm)
D33006-000	53053	PLP-CAC438A	70	21	19	65	18	Ø16
CL3535-000	24549	PLP-CAC438Q	70	21	19	65	18	Ø16
701608-000	25580	PLP-CAC438H	70	21	19	65	18	16AC



Material: Galvanized Steel

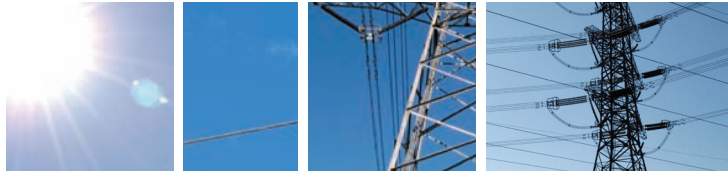
CLEVIS THIMBLE TERMINATION

Part Number	Drawing Number	Desc.	Min. Breaking Strength (kN)	A (mm)	B (mm)	C (mm)	D (mm)	E (mm)
D94160-000	A4DD12784T	Rivet Type	177	57	111	27	Ø19	57
E44779-000	A4DD14354T	Bolt Type	100	57	111	27	Ø20	57



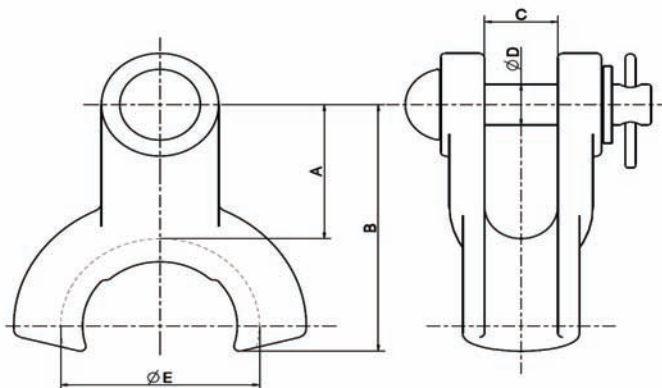
Material: Galvanized Ductile Iron

HARDWARE FITTINGS



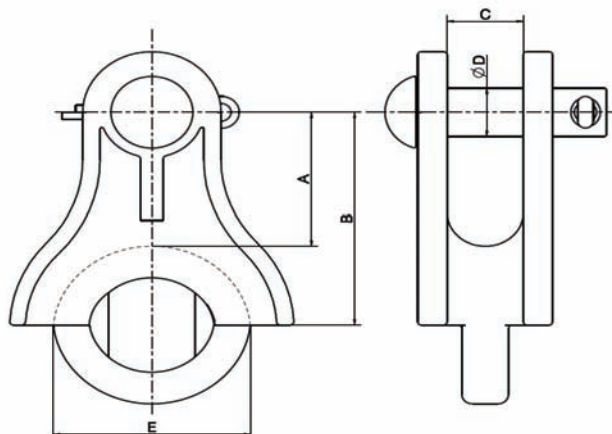
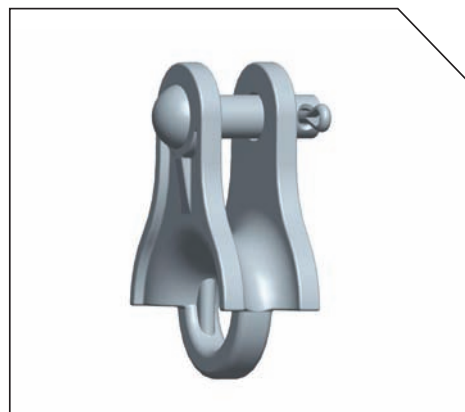
CLEVIS THIMBLE TERMINATION (CONT.)

Part Number	Drawing Number	Desc.	Min. Breaking Strength (kN)	A (mm)	B (mm)	C (mm)	D (mm)	E (mm)
829298-000	A4DD12785T	Rivet Type	120	52	96	25	Ø16	68
C54197-000	A4DD14958T	Bolt Type	120	52	96	25	Ø16	68



Material: Galvanized Ductile Iron

Part Number	Drawing Number	Desc.	Min. Breaking Strength (kN)	A (mm)	B (mm)	C (mm)	D (mm)	E (mm)
327360-000	11CT-88	Rivet Type	70	44	70	22	Ø16	68



Material: Galvanized Ductile Iron